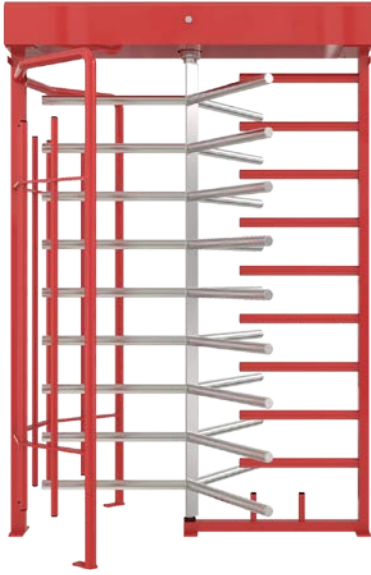
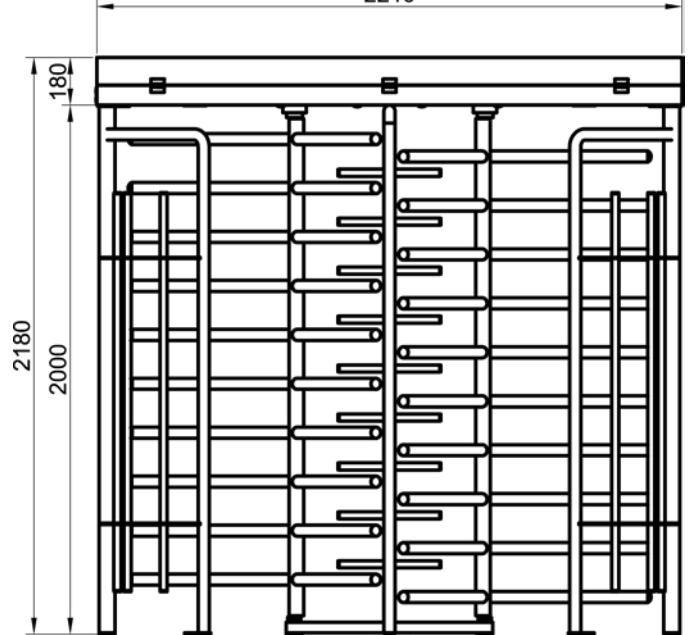
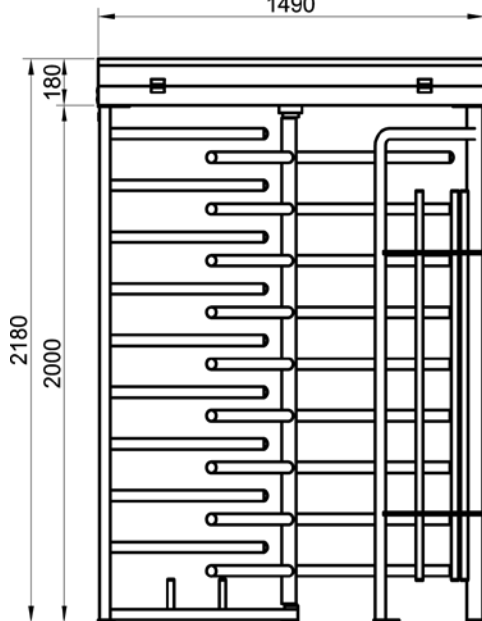
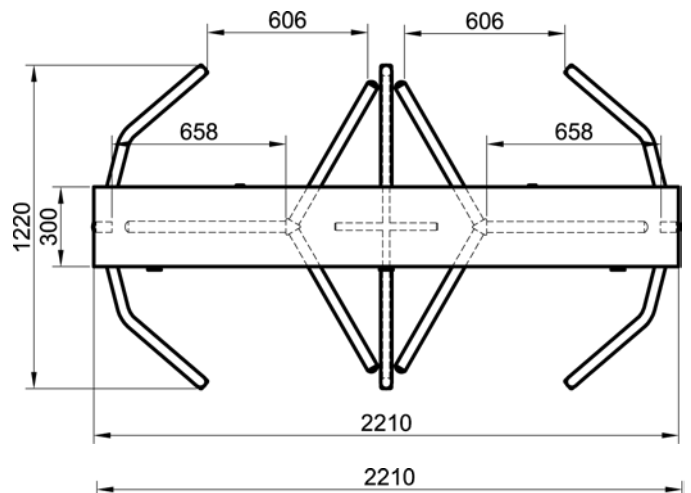
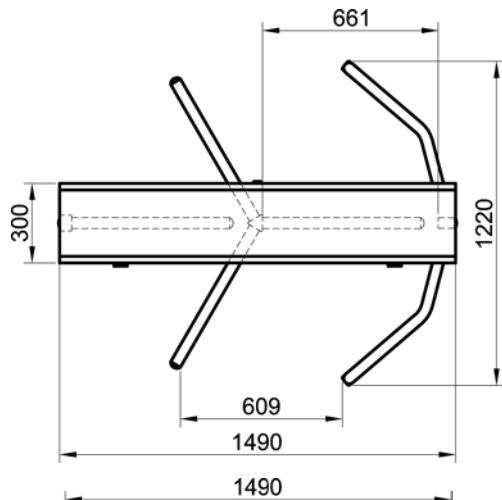


### SINGLE-SIDED



### DOUBLE-SIDED





# ECO LINE 300 TECHNICAL SPECIFICATIONS

- Power Requirements** : 110/220 – 240V. 60/50Hz. AC (%±10) 24V. DC at standby  
-For Single-Sided: ~11W. max. ~60W.  
-For Double-Sided: ~22W. max. ~120W.
- Dimensions** : 1490 x 1220 x 2180 mm (Single-Sided)  
2210 x 1220 x 2180 mm (Double-Sided)
- Arm Features** : Three-section (for double-sided a pair) rotors (120°). Each section contains nine (for double-sided ten) Ø42mmx2.5mm electrostatic powder coated (Opt. Hot dipped galvanized) or Ø40mm 304-Grade (Opt. 316-Grade) Stainless Steel (Opt. Ø38, Ø42 and Ø45mm) arms.
- Body Features** : Constructed on main carriers, supported by tube profiles on lateral panels, strengthened by separators.
- Material used is electrostatic powder coated steel, finish is electrostatic painted, stainless steel (304-Grade) or mixed combinations (Opt. Hot dip galvanizing under the coating for outdoor models) with down light.
- Top cover is protected against water for outdoors installation.
- As an option, upright bars at the frame can comply with UK H&S Regulations (The gap between upright bars is less than 98 mm).
- Indicator Features** : Optionally Green Arrow & Red Bar LED indicators on the top cover
- Operating Temperature, Humidity, IP Rating, MCBF**  
: -20°C to +68°C (Opt. -50°C with heater unit) / RH 95% non-condensing / IP 56 Outdoor Model (Opt. IP 66) / 1M Cycles
- Control System** : All inputs are opto-coupler protected . Controlled by dry contact or grounding input. Compatible with all access control systems that provide dry contact or grounding outputs. Optional RS232/RS485/TCP IP control module is available.
- Operation:** Manually operated bi-directional system (optional motorized) with dip switch selectable operational modes including controlled access on both-sides, one side free exit and restricted access modes.
- Output Data** : The system provides dry contact passage feedback by relays.
- Emergency Mode** : The rotor spins freely to allow free passage (Fail Safe default). Fail lock option is available.
- Flow Rate** : - Passage Capacity of Mechanical unit for Manual Version: ~ 60 passages/minute; Nominal: ~10-25 people/minute (for double sided:x2) (Recommended reference figure)  
- Passage Capacity of Mechanical unit for Motorized Version: ~60 passages/minute; Nominal: ~10-25 people/minute (for double sided:x2) (Recommended reference figure)
- ❖ Please note that; the above given figures are approximate for one person per walkway or lane.
- Explanatory Note:** The system allows the new passage authorisation in less than ~0.3 seconds. After the passage authorization, the total passage time depends on the pushing and passage speed of the people.
- ❖ Utilisation of different access control units can change the flow rate.
- Standard Features** : Down light.
- Optional Accessories and Applications** : LED direction and status indicators, Remote control units (RF or with cable), interface unit for PC, RS485, RS232 and LAN, counter, audio-messaging system, base plate, coin slot/intelligent coin system and coin box, card reader pole, seat limiter for stadium solutions, animated indicators, internal battery and charge unit, motor driven unit, heater positive unit, separators, card reader mounting bracket.

*\*Design and specifications are subject to change without notice.*